



PERFORMANCE

- Pressure : up to 2.5 MPa
- Temperature : -40 °C to 320 °C
- Speed : up to 20 m/s
- Size range : 25mm to 125mm
(1.0 inch to 5.0 inches)

MATERIALS

- Rotary face : SiC, TC
- Stationary face : Carbon, SiC, TC
- Spring : Alloy C-276, SS 316L
- O-ring : Silicon, EPDM, FKM, Aflas, FFKM

PRODUCT DETAILED DESCRIPTION

Type F-SSCS is designed to accommodate medium duty applications in various industries, especially difficult and arduous applications found on-site. All seal faces are monolithic construction thereby eliminating distortion in high and low temperature applications. Seal faces are double balanced to ensure excellent sealing at high or low differential pressure, minimize seal face distortion to ensure stable fluid film conditions between seal faces. An alternative design for hot liquid applications, typically for boiler feed and low vapour pressure products, the unique bi-directional pumping ring design coupled with stationary deflector delivers high volumes of barrier fluid to the seals in constant directions.

Design Features:

- Hydraulically balanced seal faces.
- Reliable face drive mechanism with monolithic seal face materials.
- Unique bi-directional pumping ring (for boiler feed and low vapour pressure products).
- Easy-to-install cartridge design with registered fit.
- Available in standard / medium / big bore gland design.

Scopes of Application:

- Industries: Oil & Gas, Petrochemical, Chemical, Power Gen, General Industries.
- Equipment: Process Pump, Mixer, Blower.

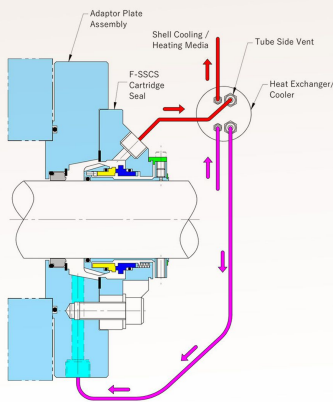
Customization:

Changes of materials for other operating parameters are possible. Contact us with your requirements.

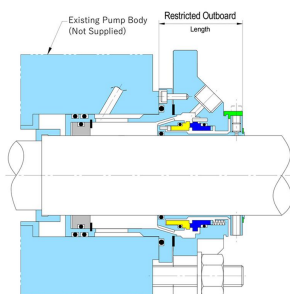
TYPE F-SSCS

FSD-Single Standard Cartridge Seal

Typical F-SSCS design configuration
(with bi-directional pumping ring)

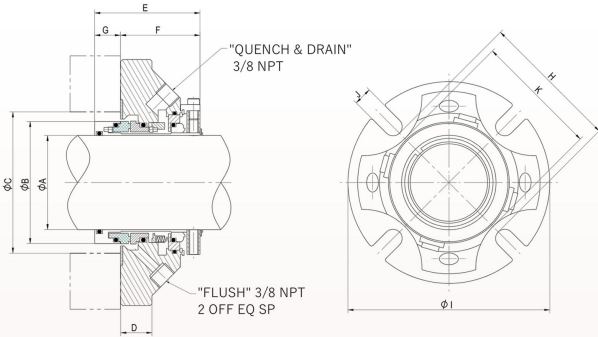


Alternative F-SSCS design configuration
(bi-directional pumping ring coupled with stationary deflector)



Standard Metric Box Bore 24.0mm - 125.0mm

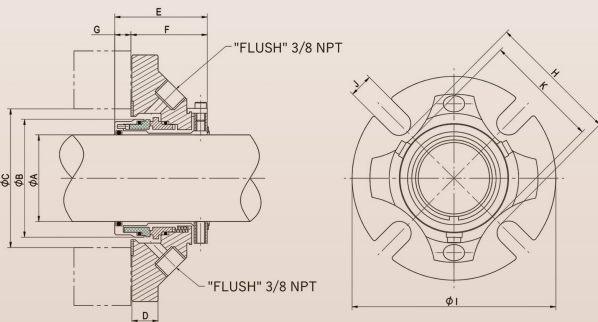
Seal Size	ØA	ØB	ØC		D	E	F	G	H	ØI	J	K
			Min	Max								
24,0	24,0	38,0	40,0	48,0	14,3	55,7	45,7	10,0	57,7	105,0	14,0	50,4
25,0	25,0	39,0	41,0	51,0	14,3	55,7	45,7	10,0	62,0	105,0	14,0	51,0
28,0	28,0	42,6	44,0	54,0	14,3	55,7	45,7	10,0	62,1	120,0	14,0	53,5
30,0	30,0	44,1	46,0	54,0	14,3	55,7	45,7	10,0	64,6	105,0	14,0	56,4
32,0	32,0	47,1	49,0	57,0	14,3	55,7	45,7	10,0	66,5	105,0	14,0	59,4
33,0	33,0	47,1	49,0	57,0	14,3	55,7	45,7	10,0	66,5	105,0	14,0	59,4
35,0	35,0	49,0	51,0	59,0	14,3	55,7	45,7	10,0	68,5	111,0	14,0	61,4
40,0	40,0	54,8	59,0	70,5	16,0	57,6	47,6	10,0	80,7	135,0	14,0	70,8
43,0	43,0	56,1	61,0	70,5	16,0	57,6	47,6	10,0	80,7	135,0	14,0	70,8
45,0	45,0	59,3	64,0	75,0	16,0	57,6	47,6	10,0	84,6	139,0	14,0	73,8
50,0	50,0	65,3	70,0	78,0	16,0	57,6	47,6	10,0	87,6	150,0	17,5	78,9
53,0	53,0	68,8	73,0	87,0	16,0	57,6	47,6	10,0	97,0	150,0	17,5	85,0
55,0	55,0	68,8	73,0	87,0	16,0	57,6	47,6	10,0	97,0	150,0	17,5	85,0
60,0	60,0	75,2	80,0	92,0	16,0	57,6	47,6	10,0	102,4	164,5	17,5	88,0
63,0	63,0	78,3	83,0	98,5	16,0	57,6	47,6	10,0	108,7	171,0	17,5	94,4
65,0	65,0	81,5	86,0	98,5	16,0	57,6	47,6	10,0	108,7	171,0	17,5	94,4
70,0	70,0	84,7	89,0	100,0	16,0	57,6	47,6	10,0	112,0	180,5	17,5	98,3
75,0	75,0	98,0	101,6	117,5	23,8	83,5	63,5	20,0	131,4	189,3	17,5	116,5
80,0	80,0	104,4	108,0	127,0	23,8	83,5	63,5	20,0	142,5	201,9	21,0	126,0
85,0	85,0	107,6	111,1	127,0	23,8	83,5	63,5	20,0	142,5	201,9	21,0	126,0
90,0	90,0	113,9	117,5	136,5	23,8	83,5	63,5	20,0	152,0	214,6	21,0	135,5
95,0	95,0	117,1	120,0	136,5	23,8	83,5	63,5	20,0	152,0	214,6	21,0	135,5
100,0	100,0	123,4	127,0	139,7	23,8	83,5	63,5	20,0	155,2	227,3	21,0	138,7
105,0	105,0	129,8	133,4	152,4	23,8	83,5	63,5	20,0	167,9	240,0	21,0	151,4
110,0	110,0	136,1	139,7	152,4	23,8	83,5	63,5	20,0	167,9	240,0	21,0	151,4
115,0	115,0	142,5	146,1	165,1	23,8	83,5	63,5	20,0	180,6	252,7	24,0	164,1
120,0	120,0	142,5	146,1	165,1	23,8	83,5	63,5	20,0	180,6	252,7	24,0	164,1
125,0	125,0	148,8	152,4	165,1	23,8	83,5	63,5	20,0	180,6	252,7	24,0	164,1



FSD is certified to
ISO 9001:2015
ISO 45001:2018
OHSAS 18001:2007

Standard Empiric Box Bore 1.000" - 5.000"

Seal Size	ØA	ØB	ØC		D	E	F	G	H	ØI	J	K
			Min	Max								
1.000	1.000	1.538	1.625	2.000	0.562	2.194	1.800	0.394	2.441	4.134	0.551	2.008
1.125	1.125	1.678	1.750	2.125	0.562	2.194	1.800	0.394	2.445	4.725	0.551	2.106
1.250	1.250	1.853	1.875	2.250	0.562	2.194	1.800	0.394	2.618	4.134	0.551	2.340
1.375	1.375	1.932	2.000	2.312	0.562	2.194	1.800	0.394	2.697	4.375	0.551	2.418
1.500	1.500	2.084	2.250	2.750	0.625	2.269	1.875	0.394	3.177	5.315	0.551	2.786
1.625	1.625	2.209	2.375	2.750	0.625	2.269	1.875	0.394	3.177	5.315	0.551	2.786
1.750	1.750	2.334	2.500	2.937	0.625	2.269	1.875	0.394	3.337	5.475	0.551	2.907
1.875	1.875	2.459	2.650	2.937	0.625	2.269	1.875	0.394	3.297	5.475	0.551	2.982
2.000	2.000	2.569	2.750	3.062	0.625	2.269	1.875	0.394	3.450	5.906	0.689	3.108
2.125	2.125	2.709	2.875	3.437	0.625	2.269	1.875	0.394	3.819	5.906	0.689	3.346
2.250	2.250	2.834	3.000	3.625	0.625	2.269	1.875	0.394	4.030	6.475	0.689	3.466
2.375	2.375	2.959	3.125	3.625	0.625	2.269	1.875	0.394	4.030	6.475	0.689	3.466
2.500	2.500	3.084	3.250	3.875	0.625	2.269	1.875	0.394	4.280	6.725	0.689	3.716
2.625	2.625	3.209	3.375	3.875	0.625	2.269	1.875	0.394	4.280	6.725	0.689	3.716
2.750	2.750	3.334	3.500	3.937	0.625	2.269	1.875	0.394	4.405	7.100	0.689	3.871
2.875	2.875	3.735	3.875	4.625	0.937	3.286	2.500	0.786	5.173	7.450	0.689	4.585
3.000	3.000	3.860	4.000	4.625	0.937	3.286	2.500	0.786	5.173	7.450	0.689	4.585
3.125	3.125	3.985	4.125	4.625	0.937	3.286	2.500	0.786	5.173	7.450	0.689	4.585
3.250	3.250	4.110	4.250	5.000	0.937	3.286	2.500	0.786	5.610	7.950	0.827	4.960
3.375	3.375	4.235	4.375	5.000	0.937	3.286	2.500	0.786	5.610	7.950	0.827	4.960
3.500	3.500	4.360	4.500	5.000	0.937	3.286	2.500	0.786	5.610	7.950	0.827	4.960
3.625	3.625	4.485	4.625	5.375	0.937	3.286	2.500	0.786	5.985	8.450	0.827	5.335
3.750	3.750	4.610	4.750	5.375	0.937	3.286	2.500	0.786	5.985	8.450	0.827	5.335
3.875	3.875	4.860	5.000	5.500	0.937	3.286	2.500	0.786	6.110	8.950	0.827	5.460
4.000	4.000	4.860	5.000	5.500	0.937	3.286	2.500	0.786	6.110	8.950	0.827	5.460
4.125	4.125	5.110	5.250	6.000	0.937	3.286	2.500	0.786	6.610	9.450	0.827	5.960
4.250	4.250	5.110	5.250	6.000	0.937	3.286	2.500	0.786	6.610	9.450	0.827	5.960
4.375	4.375	5.360	5.500	6.000	0.937	3.286	2.500	0.786	6.610	9.450	0.827	5.960
4.500	4.500	5.360	5.500	6.000	0.937	3.286	2.500	0.786	6.610	9.450	0.827	5.960
4.625	4.625	5.610	5.750	6.500	0.937	3.286	2.500	0.786	7.110	9.950	0.945	6.460
4.750	4.750	5.610	5.750	6.500	0.937	3.286	2.500	0.786	7.110	9.950	0.945	6.460
4.875	4.875	5.860	6.000	6.500	0.937	3.286	2.500	0.786	7.110	9.950	0.945	6.460
5.000	5.000	5.860	6.000	6.500	0.937	3.286	2.500	0.786	7.110	9.950	0.945	6.460



PT Fluid Science Dynamics Indonesia

Komplek Pergudangan & Industri Blessindo
 Jl. Raya H. Tabri No. 228 Blok A No. 1
 Kel. Citarab, Kec. Legok
 Kab. Tangerang, Banten
 15820

Tel : +62 21 3970 3990 / 3991
 Fax : +62 21 3970 3998

Email : sales@fsd.co.id

Large Box Bore

Seal Size	ØA	ØB	ØC		D	E	F	G	H	ØI	J	K	L
			Min	Max									
35.0	35.0	49.0	73.0	77.8	14.3	55.7	45.7	10.0	87.6	136.5	14.0	64.7	108.0
1.125	1.125	1.678	2.625	2.750	0.562	2.194	1.800	0.394	3.199	5.000	0.551	2.323	3.990
1.375	1.375	1.932	2.875	3.062	0.562	2.194	1.800	0.394	3.449	5.375	0.551	2.549	4.250
1.750	1.750	2.459	3.500	4.000	0.625	2.269	1.875	0.394	4.449	6.750	0.551	3.500	5.480
1.875	1.875	2.459	3.500	4.000	0.625	2.269	1.875	0.394	4.449	6.750	0.551	3.500	5.480
2.125	2.125	2.709	3.875	4.187	0.625	2.269	1.875	0.394	4.661	7.600	0.689	3.715	6.205
2.500	2.500	3.209	4.500	4.812	0.625	2.269	1.875	0.394	5.411	8.225	0.689	4.525	6.705
2.625	2.625	3.209	4.500	4.812	0.625	2.269	1.875	0.394	5.411	8.225	0.689	4.525	6.705